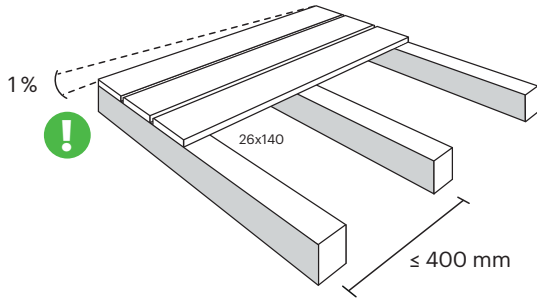


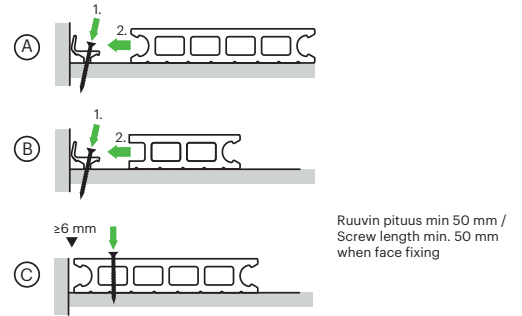
# ASENNUSOHJE / INSTALLATION GUIDE – Luna TWPC 26×140

	<p>KOOLAUS / SUPPORT 40 cm = 19 kpl/pcs/m<sup>2</sup> 30 cm = 24 kpl/pcs/m<sup>2</sup></p>	<p>140 mm 26 mm</p> <p>6,85 jm/m<sup>2</sup> 6,85 rm/m<sup>2</sup></p>	
	<p>Power drill</p>	<p>Plastic glue</p>	<p>RUOSTUMATON ROSTFREI STAINLESS INOXYDABLE ROSTFRI</p> <p>4 – 4,2 × 35–45 mm ← Ø max 8 mm</p> <p>Screw</p>

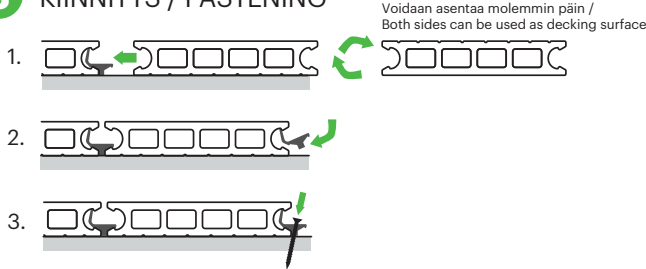
## 1 PERUSTA / SUPPORTING STRUCTURE



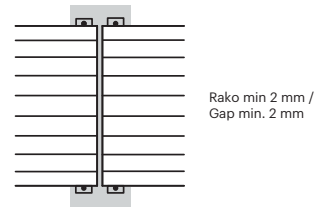
## 2 ALOITUS / TO START



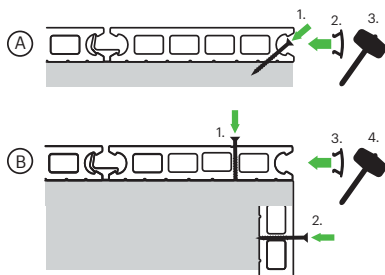
## 3 KIINNITYS / FASTENING



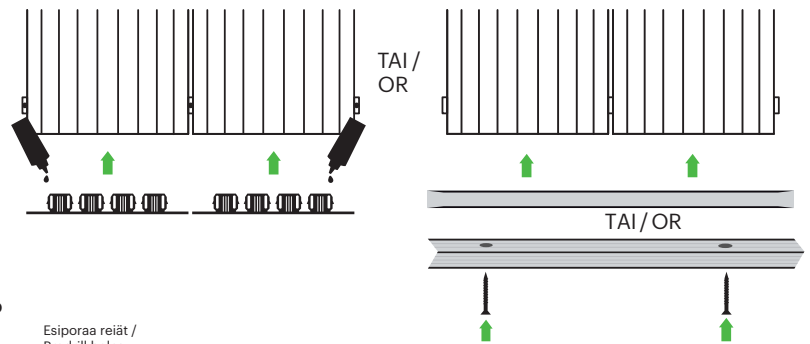
## 4 LAUDAN JATKAMINEN / END TO END JUNCTION



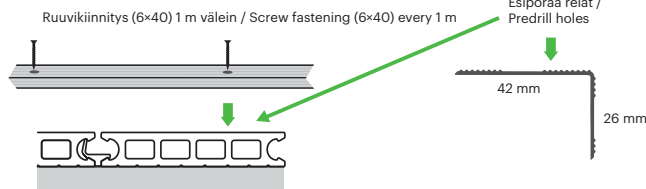
## 5 REUNALISTA / SIDE STRIP



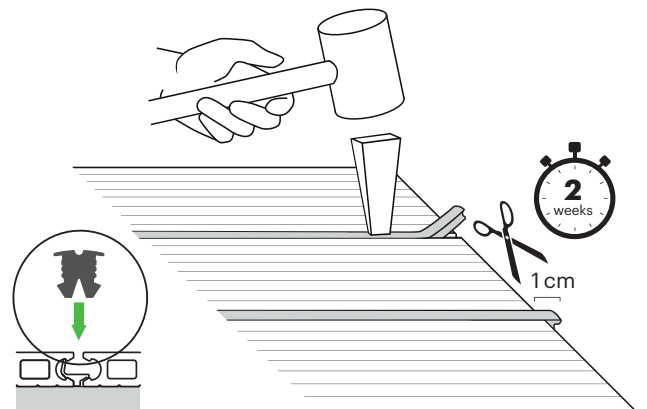
## 6 VIIMEISTELY / FINALIZING



## © REUNALISTA (L 26×42) / SIDE STRIP



## 7 SAUMANAUHA / GAP STRIP (lisävaruste / optional)



## © KULMALISTA / ANGLE FRAME

