



LUNAWOOD

LUNA TRIPLE SHADOW

32x140

INSTALLATION GUIDE



Private House in Madeira
Architect: Carla Vieira architects
Photo: Carla Vieira architects

LUNAWOOD.COM

LUNA TRIPLE SHADOW 32x140

Guideline for Luna Triple Shadow installation

Luna Triple Shadow 3D effect with easy installation in indoor and outdoor use.

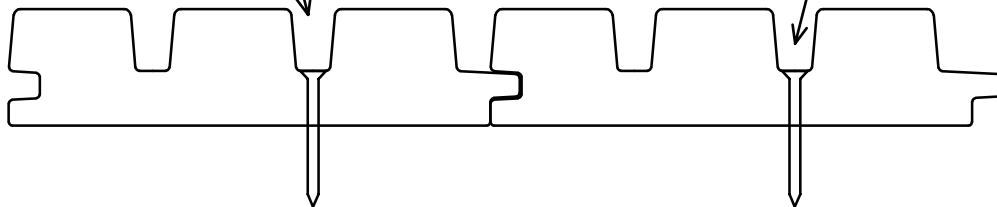
dimensions (mm)	32x140
class	LunaThermo-D
species	Nordic spruce
length (m)	3,0 - 5,4
m/m ²	7,57
joist spacing (mm)	600



OUTDOOR, mounting with screws:

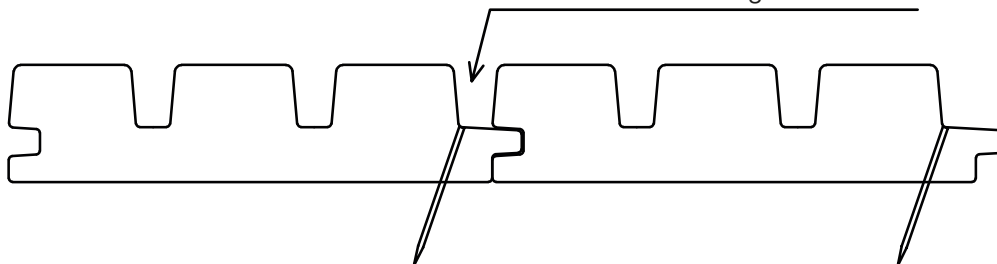
Stainless steel screw. Length 40 mm

Screw head diameter max 7 mm



INDOOR, mounting with nailing:

Stainless steel nail. Length 40 mm

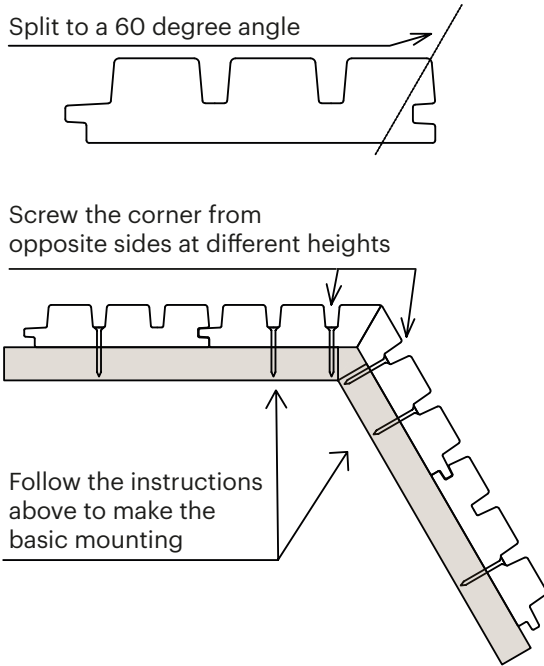


LUNA TRIPLE SHADOW 32x140

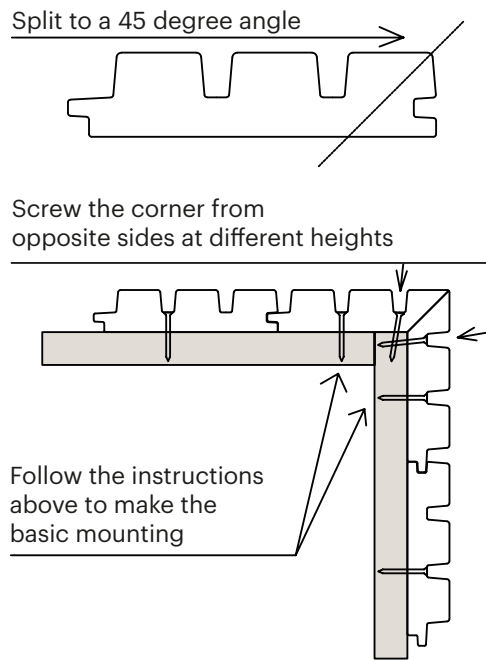
Guideline for Luna Triple Shadow installation

Luna Triple Shadow corner installation

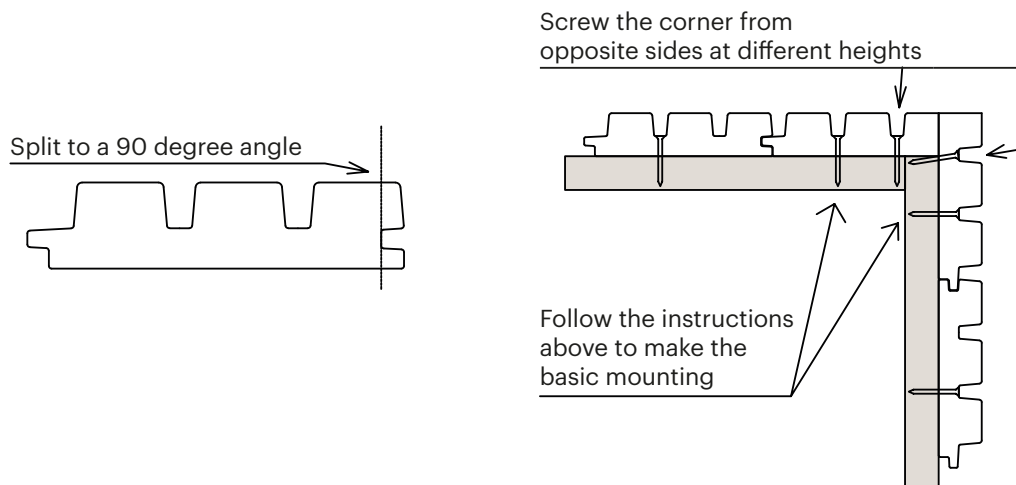
Miter 60 degree corner:



Miter 90 degree corner:



Basic 90 degree corner:

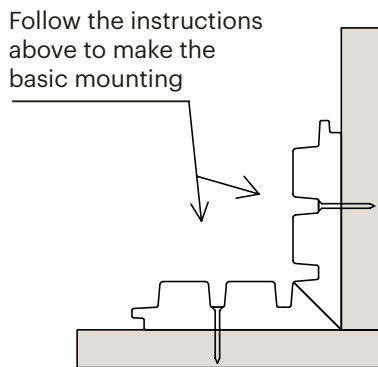
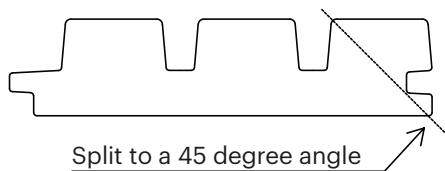


LUNA TRIPLE SHADOW 32X140

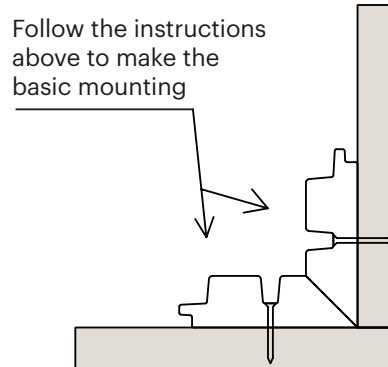
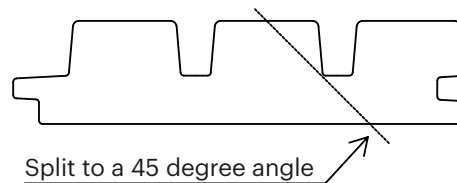
Guideline for Luna Triple Shadow installation

3 ways to install internal corners

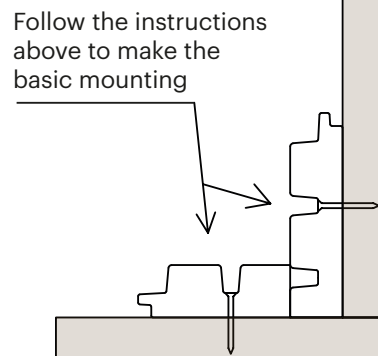
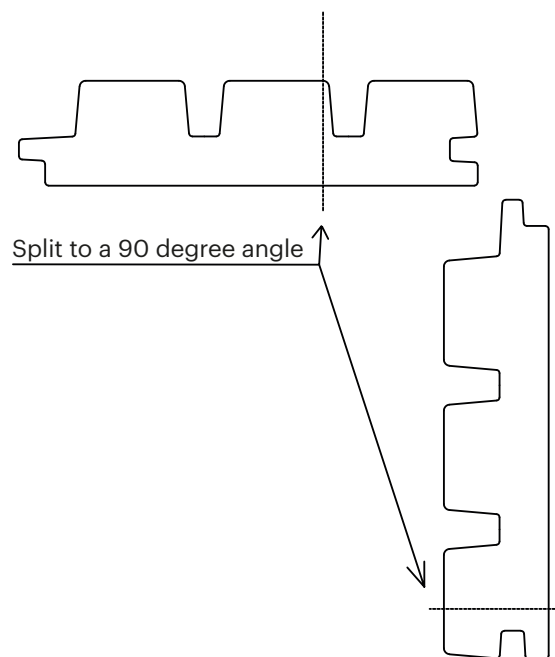
1st way:



2nd way:



3rd way:



Provide adequate support structure in accordance with your local building regulations. Do not install lamps or other heavy objects directly to the product.