



LUNAWOOD

LUNA HIDDEN NAILING

Luna UTV 20x142 HN,
Luna Panel System 20x142 HN,
Luna UTL 26x142 HN

INSTALLATION GUIDE

Demänová Rezort in Slovakia
Architect: Ing. arch. Jakub Loučka,
XYLO Atelier
Photo: XYLO Atelier



LUNAWOOD.COM

LUNA HIDDEN NAILING

Guideline for Luna Hidden Nailing installation

Clean-cut finish with Luna Hidden Nailing profiles suitable for both vertical and horizontal cladding.

Luna UTV 20x142 HN

dimensions (mm)	20x142
class	LunaThermo-D
species	Nordic pine
length (m)	3,6 - 5,1
m/m ²	8,26
joist spacing (mm)	600



Luna Panel System 20x142 HN

dimensions (mm)	20x142
class	LunaThermo-D
species	Nordic pine
length (m)	3,6 - 5,1
m/m ²	8,10
joist spacing (mm)	600

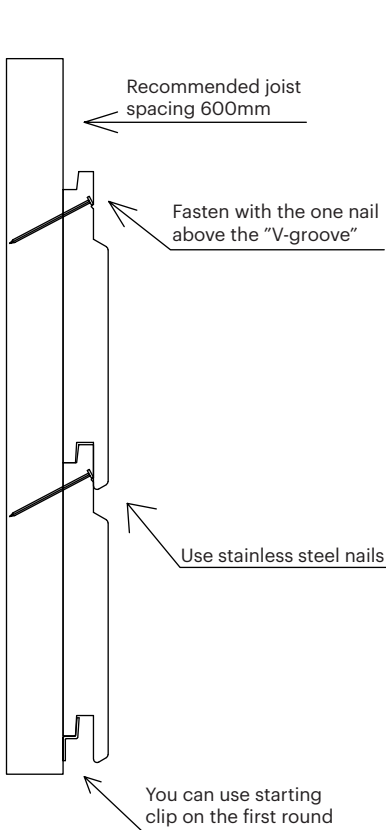


Luna UTL 26x142 HN

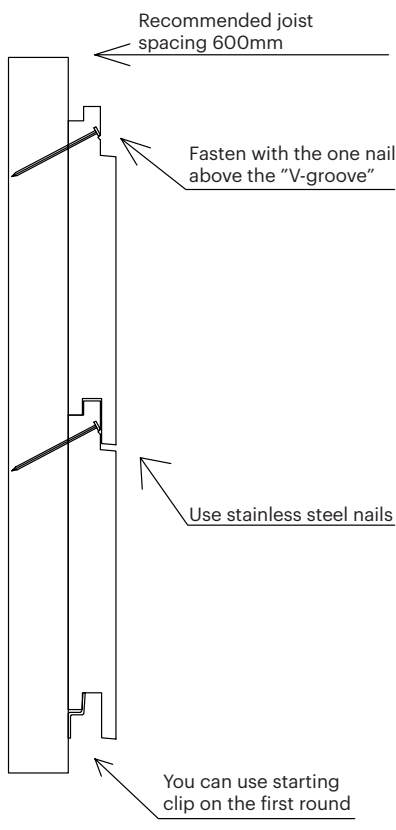
dimensions (mm)	26x142
class	LunaThermo-D
species	Nordic spruce
length (m)	3,6 - 5,1
m/m ²	8,26
joist spacing (mm)	600



Luna UTV 20x142 HN installation



Luna Panel System 20x142 HN installation



Luna UTL 26x142 HN installation

