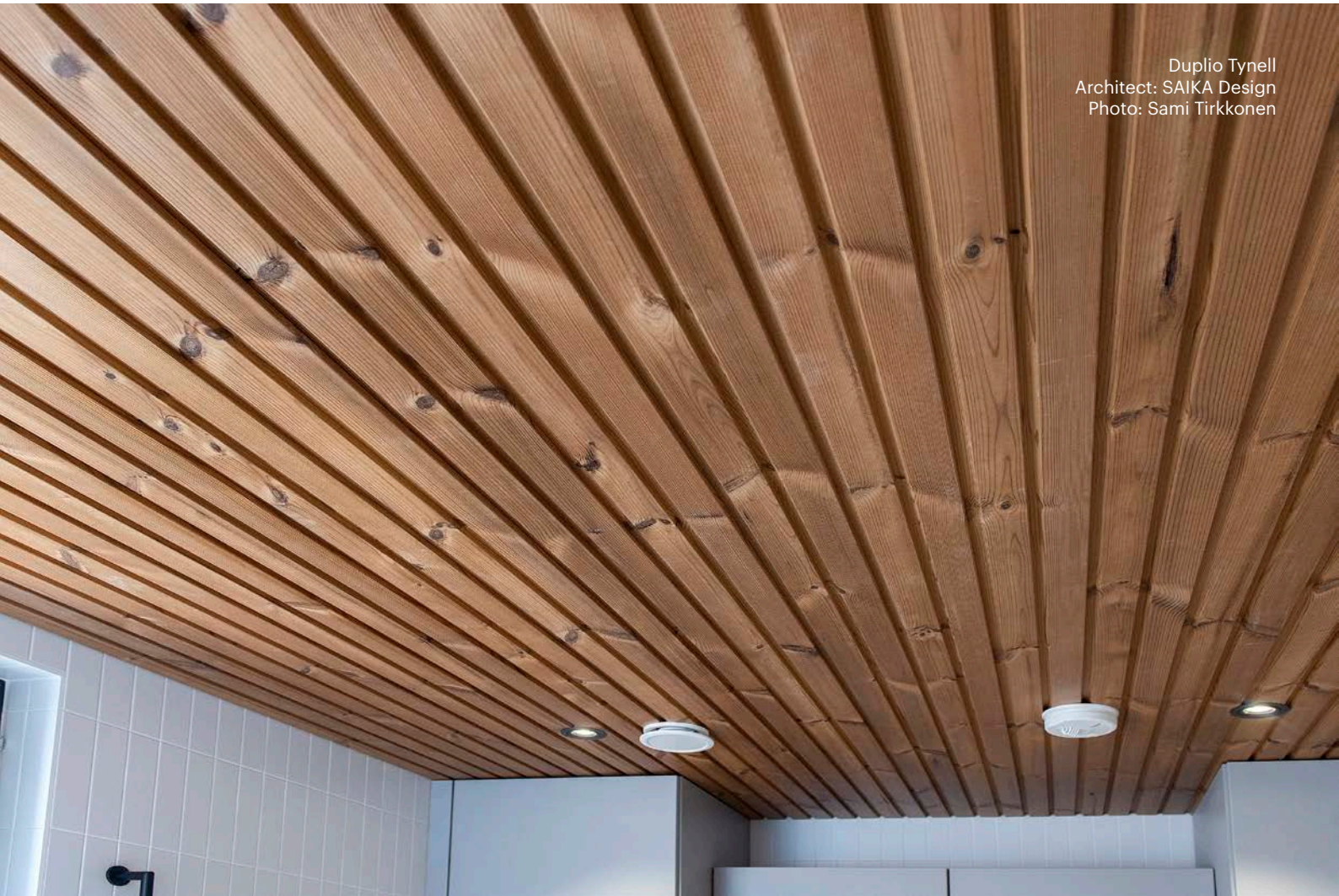




**Installation guideline for
Luna Dual 26x142**

Duplio Tynell
Architect: SAIKA Design
Photo: Sami Tirkkonen

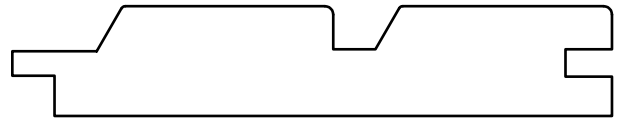


LUNA DUAL SHADOW

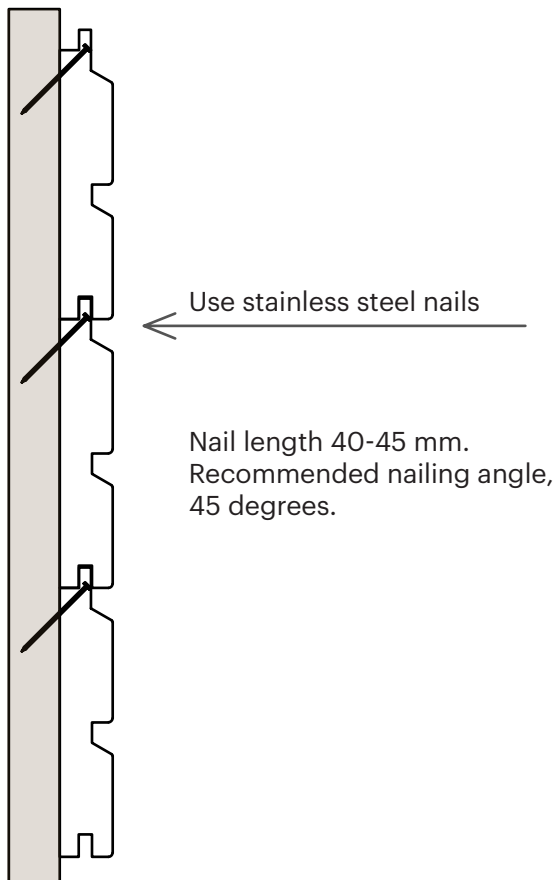
Guideline for Luna Dual Shadow installation

Luna Dual Shadow gives a 3D batten effect for interior walls, ceilings and facades due to its deep grooves. It is fast to install compared to individual battens.

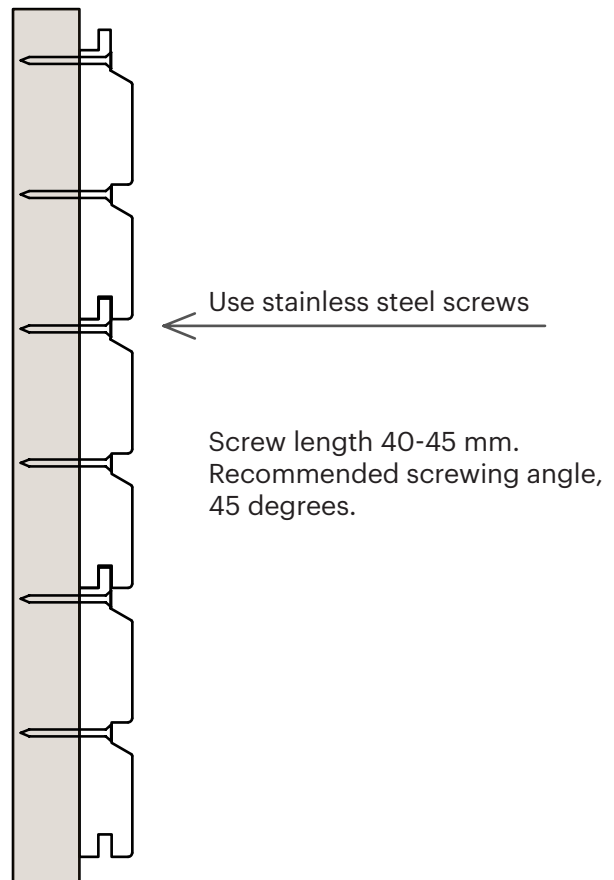
dimensions (mm)	26x142
class	LunaThermo-D
species	Nordic spruce
length (m)	3,9 - 5,4
m/m ²	7,6
joist spacing (mm)	600



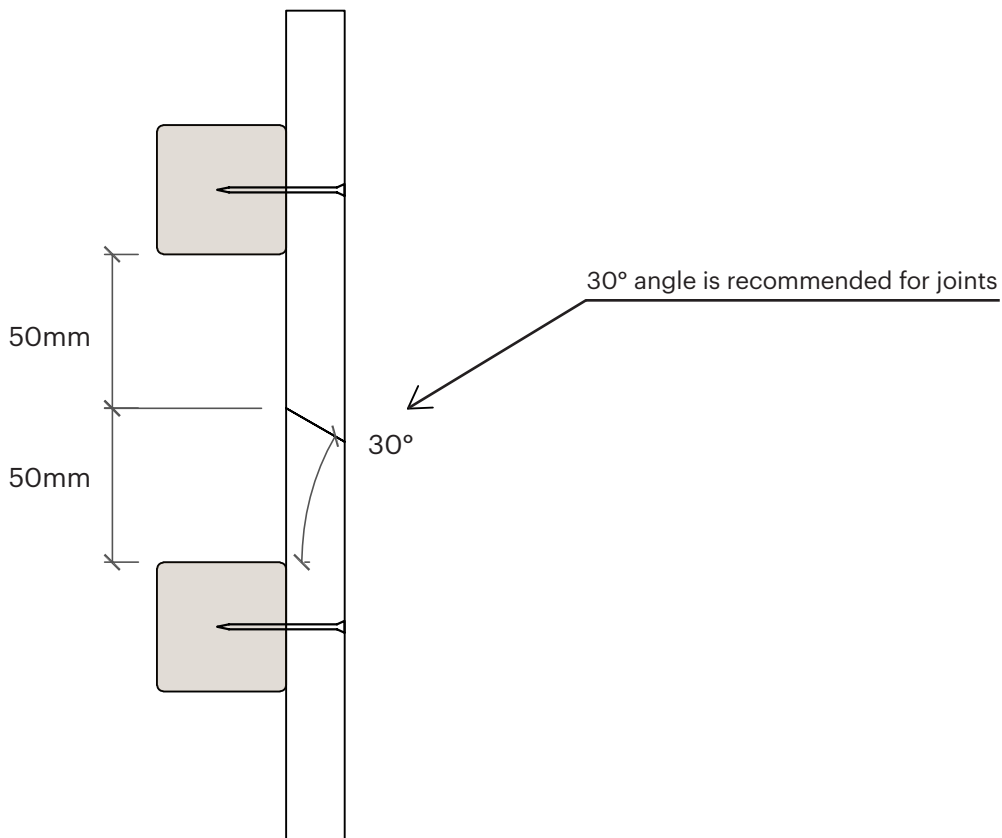
Indoor application:



Outdoor application:



General board joint guideline



Fasten nails/screws to the correct depth



This brochure is provided for informational purposes only and no liability or responsibility of any kind is accepted by Lunawood or its representatives, although Lunawood has taken reasonable efforts to verify the accuracy of any advice, recommendation, or information. Lunawood reserves the right to alter its products, product information and product range without prior notice.