



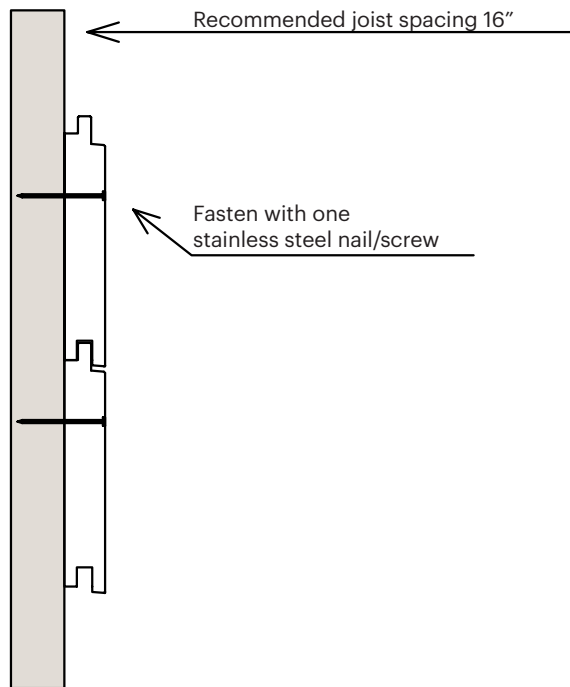
**Installation guideline for flat
tongue & groove and overlap products**



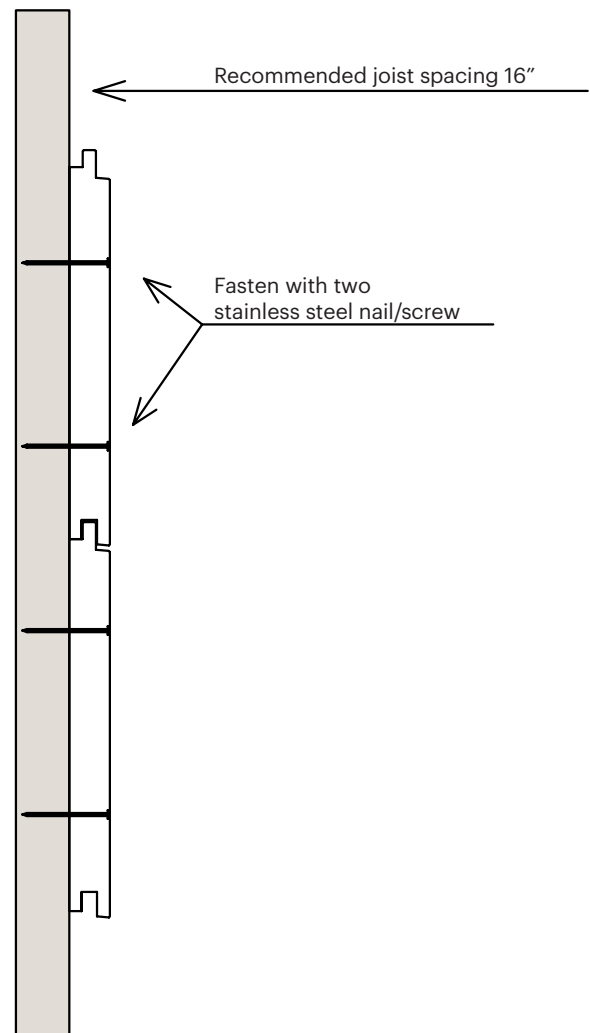
LUNAWOOD FLAT TONGUE & GROOVE AND OVERLAP PRODUCTS

Guideline for installation of flat tongue & groove and overlap products

Installation for under 5-1/2" (140mm) wide tongue & groove products

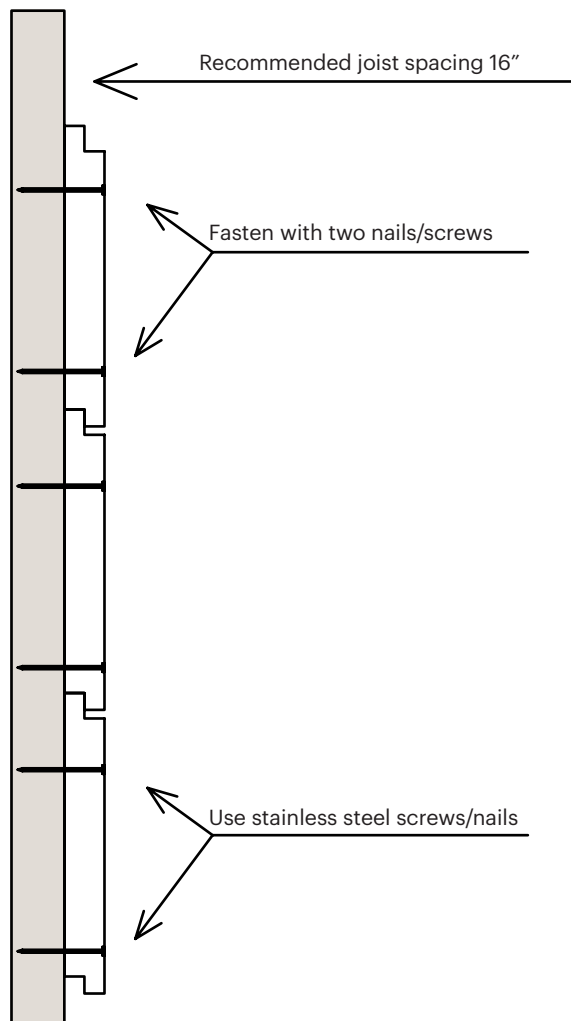


Installation for 5-1/2" (140mm) and wider tongue & groove products

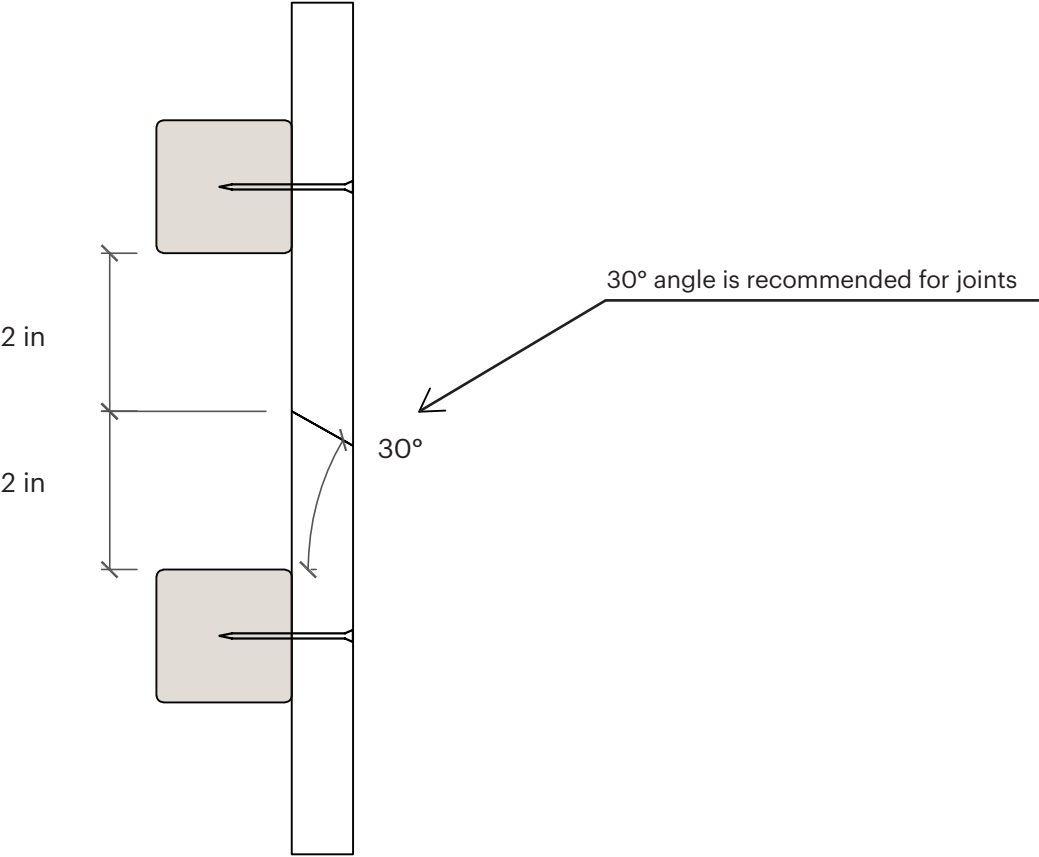


LUNAWOOD FLAT TONGUE & GROOVE AND OVERLAP PRODUCTS

Guideline for installation of flat tongue & groove and overlap products



General board joint guideline



Fasten nails/screws to the correct depth



This brochure is provided for informational purposes only and no liability or responsibility of any kind is accepted by Lunawood or its representatives, although Lunawood has taken reasonable efforts to verify the accuracy of any advice, recommendation, or information. Lunawood reserves the right to alter its products, product information and product range without prior notice.